

LOADMASTER™

www.loadmaster.org
906.563.9226



Legacy & Legacy-S



Mid-Compaction Rear Loader

The ***Legacy*** and ***Legacy-S*** models have a compaction rate of 800 to 900 pounds per cubic yard. A lighter Loadmaster body on a single rear axle chassis with the pedigree of reliability our customers love. Proudly made in the USA.



906.563.9226





Lighter Body

Mid-Compaction, Light body for single rear axle chassis. Built with 8 gauge body sides and 7 gauge body floor. Loadmaster reliability and quality available in sizes from 11-25 cubic yards.

Body Access Door

Maintenance is important, we incorporated a large body access door and ladder allowing our customers to safely maintain the hydraulic components behind the ejector at the front of the body.

Dual Clean Out Door Option

One of our most popular options for our rear loaders. Making it easier to clean out behind the ejector and the front of the body. Sealed to prevent liquid leaking from the body.



906.563.9226

LED Lights Standard

Every Loadmaster is equipped with LED lights by default. LED technology provides enhanced visibility and superior longevity in a small package.

Super Tough Blades

Loadmaster blades are built to last even on the toughest routes. Sweep blade equipped with a 3/16" T-1 face panel, slide blade equipped with a 7 gauge high tensile face panel. 1/4" T-1 sweep blade liner and 3/16" T-1 slide blade liner available for even more longevity.

Rugged Hopper

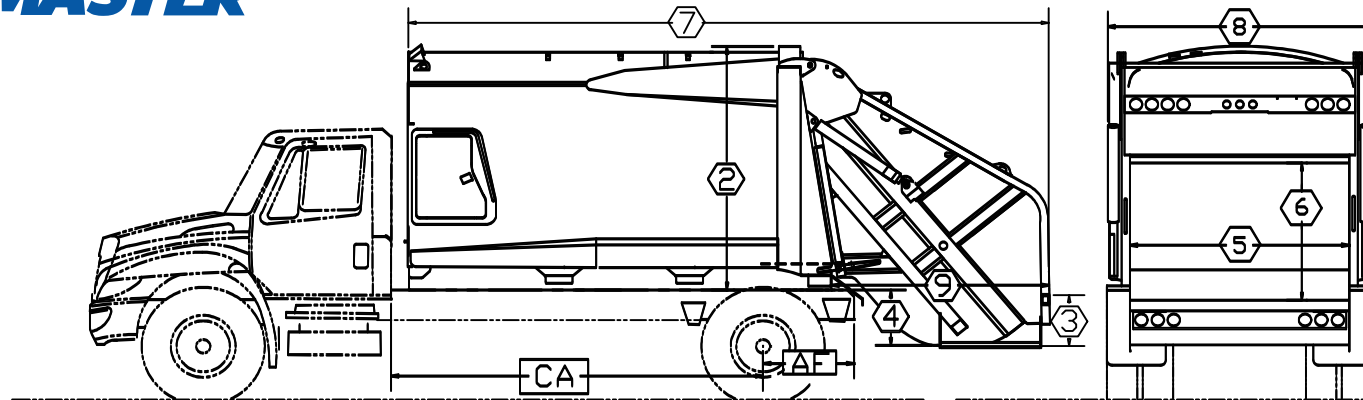
3/16" T-1 lower hopper sides, 3/16" T-1 hopper floor standard. 3/16" T-1 hopper floor liner and 1/4" hopper sides and floor available. Abrasion is a huge problem, we've engineered the Legacy to not only be light but be strong using thick abrasion resistant steel to provide incomparable longevity.

Container Lifting Options

Multiple container lifting options available. Everything from carts to dumpsters and in whatever method you prefer 2-10 Reeving Winch, Hydraulic Drum Winch, Clear-Step Kickbar, etc.



Legacy-S



Dimensional Specifications

1	Available Body Volumes	S 16 yd	S 18 yd	S 20 yd	S 25 yd
2	Height Above Chassis Frame	95 1/2"	95 1/2"	95 1/2"	95 1/2"
3	Depth of Hopper	19"	19"	19"	19"
4	Hopper Below Chassis Frame	25 1/2"	25 1/2"	25 1/2"	25 1/2"
5	Hopper Inside Width	80"	80"	80"	80"
6	Hopper Opening Height	60"	60"	60"	60"
7	Overall Length	221"	238"	249"	271"
8	Overall Width	96"	96"	96"	96"
9	Rear of Body to Rear of Tailgate	81"	81"	81"	81"
10	Approximate Body Weight (lbs.)	12,100	12,300	12,700	13,400
11	Load Sill Below Chassis Frame	2 1/2"	2 1/2"	2 1/2"	2 1/2"
12	Hopper Capacity	3 yd	3 yd	3 yd	3 yd
13	Height Above Frame (With Gate Raised)	174	174	174	174

Chassis Recommendations

Body Size	Min. GVWR	Min. Front AWR	Min. Rear AWR	CT	Min. AF
S 16 yd	32,000	9,000	23,000	128"	34"
S 18 yd	32,000	9,000	23,000	140"	34"
S 20 yd	33,000	10,000	23,000	152"	34"
S 25 yd	46,000	10,000	36,000	156"	34"

Legacy S 25 only available on a tandem axle chassis

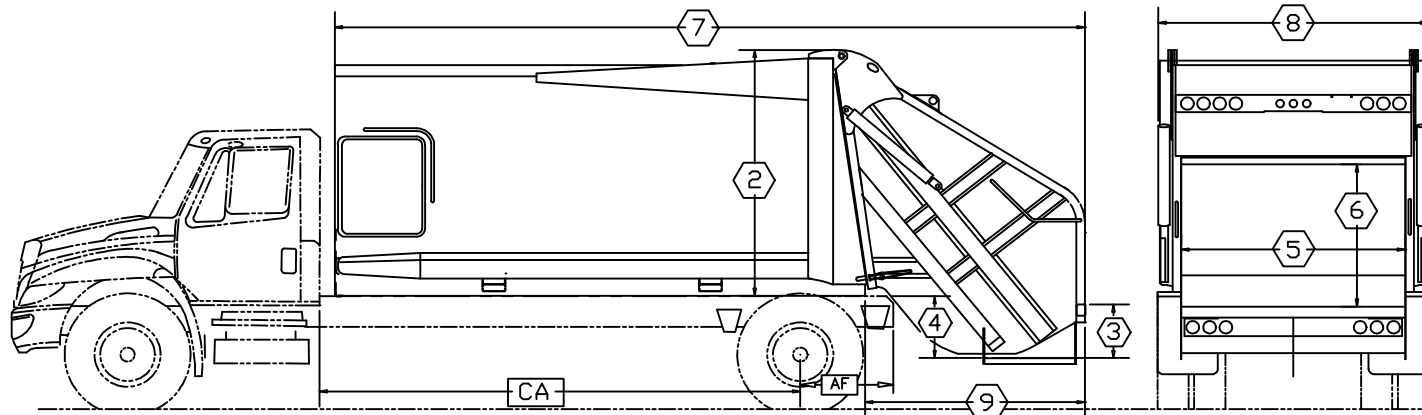
Standard Material Specifications

Body Sides	8 gauge grade 80
Body Floor	7 gauge
Body Roof	8 gauge grade 80
Floor Longitudinals	3" x 10" x 3/16" boxed channel
Ejector Track channel	1/4" elevated channel
Lower Tailgate Sides	3/16" T-1
Upper Tailgate Sides	7 gauge in sweep zone 10 gauge above
Hopper Floor	3/16" T-1
Separator Panel	3/16" AR 235 abrasion resistant
Ejector Face Panel	3/16" Grade 50
Ejector Shoes	UHMW main shoes Nylatron GSM yaw and pitch
Sweep Face Panel	3/16" T-1 alloy
Slide Face Panel	7 gauge Grade 80
Slide Blade Shoes	Nylatron NSM

Loadmaster's dedication to customer service and satisfaction means we will modify and customize options and features to meet the unique demands of any customer's route. To learn more about what Loadmaster can do for you, give your local dealership a call.

906.563.9226

Legacy



Dimensional Specifications

Standard Material Specifications

	Available Body Volumes	11 yd	13 yd	16 yd	18 yd	20 yd
1	Height Above Chassis Frame	92"	92"	92"	92"	92"
2	Depth of Hopper	19"	19"	19"	19"	19"
3	Hopper Below Chassis Frame	25 1/2"	25 1/2"	25 1/2"	25 1/2"	25 1/2"
4	Hopper Inside Width	80"	80"	80"	80"	80"
5	Hopper Opening Height	60"	60"	60"	60"	60"
6	Overall Length	193"	213"	236"	251"	266"
7	Overall Width	96"	96"	96"	96"	96"
8	Rear of Body to Rear of Tailgate	81"	81"	81"	81"	81"
9	Approximate Body Weight (lbs.)	10,800	11,200	11,700	12,000	12,400
10	Load Sill Below Chassis Frame	2 1/2"	2 1/2"	2 1/2"	2 1/2"	2 1/2"
11	Hopper Capacity	3 yd	3 yd	3 yd	3 yd	3 yd
12	Height Above Frame (With Gate Raised)	174	174	174	174	174

Body Sides	8 gauge grade 80
Body Floor	7 gauge
Body Roof	10 gauge grade 80
Floor Longitudinals	3" x 10" x 3/16" boxed channel
Ejector Track channel	1/4" elevated channel
Lower Tailgate Sides	3/16" T-1
Upper Tailgate Sides	7 gauge in sweep zone 10 gauge above
Hopper Floor	3/16" T-1
Separator Panel	3/16" AR 235 abrasion resistant
Ejector Face Panel	10 gauge
Ejector Shoes	UHMW main shoes UHMW yaw and pitch
Sweep Face Panel	3/16" T-1 alloy
Slide Face Panel	7 gauge Grade 80
Slide Blade Shoes	Nylatron NSM

Chassis Recommendations

Body Size	Min. GVWR	Min. Front AWR	Min. Rear AWR	CT	Min. AF
11 yd	26,000	8,000	18,000	98"	34"
13 yd	26,000	8,000	18,000	118"	34"
16 yd	32,000	9,000	23,000	140"	34"
18 yd	32,000	9,000	23,000	154"	34"
20 yd	33,000	10,000	23,000	168"	34"



100 9th Ave.
P.O. Box 186
Norway, MI 49870
Proudly made in Norway, Michigan



Loadmaster reserves the right to change specifications without notice and without obligation to install them on units sold. Information published is informational only and shall not be construed to warrant suitability of the unit for any particular purpose as performance may vary with the conditions encountered. Illustrations shown may include optional equipment and accessories, and may not include all standard equipment.

906.563.9226

www.loadmaster.org